

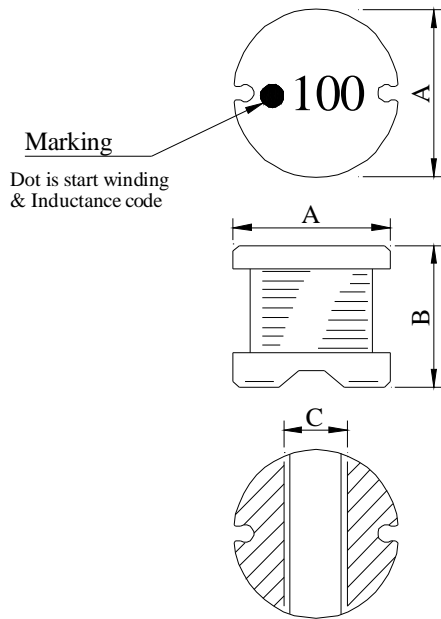
# SPECIFICATION FOR APPROVAL

REF : 20090728-A

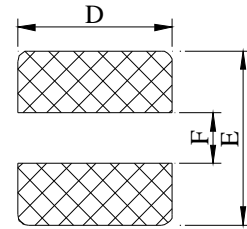
PAGE: 1

PROD. NAME	SMD POWER INDUCTOR	ABC'S DWG NO.	SR1011□□□□L□-□□□
		ABC'S ITEM NO.	

## I . CONFIGURATION & DIMENSIONS :

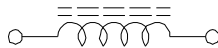


- A : 9.5±0.3 m/m
- B : 11.5±0.5 m/m
- C : 2.9 ref. m/m
- D : 10.0 ref. m/m
- E : 10.0 ref. m/m
- F : 2.8 ref. m/m



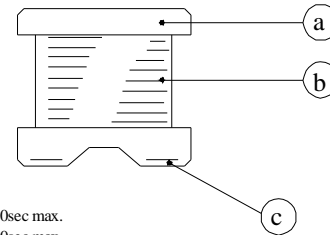
( PCB Pattern )

## II . SCHEMATIC DIAGRAM :



## III . MATERIALS :

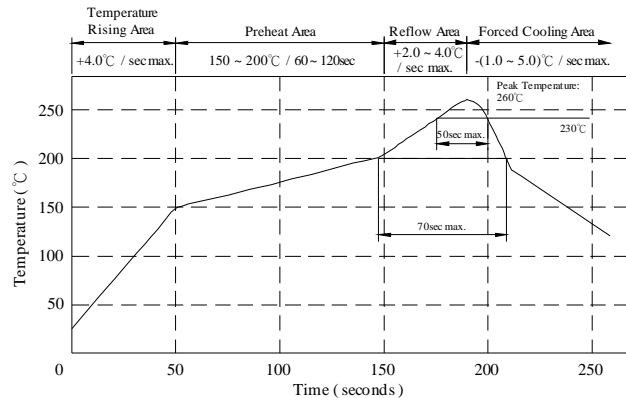
- a . Core : Ferrite DR core
- b . Wire : Enamelled copper wire ( class F & H)
- c . Terminal : Ag/Ni/Sn
- d . Remark : Products comply with RoHS' requirements



Peak Temp : 260°C max.  
 Max time above 230°C : 50sec max.  
 Max time above 200°C : 70sec max.

## IV . GENERAL SPECIFICATION :

- a . Temp. rise : 40°C max.
- b . Rated current : Base on temp. rise  
& ΔL/L0A=10% max.
- c . Storage temp. : -40°C ----+125°C
- d . Operating temp. : -40°C ----+105°C
- e . Resistance to solder heat : 260°C.10 secs.



AR-001A

# SPECIFICATION FOR APPROVAL

REF : 20090728-A

PAGE: 2

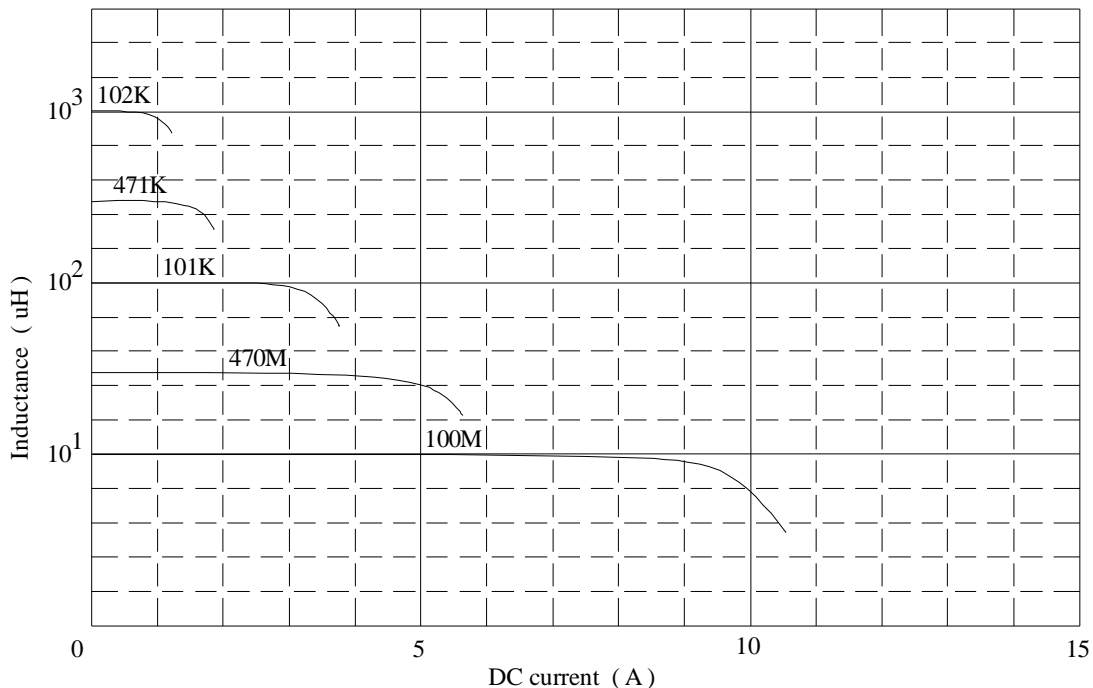
PROD. NAME	SMD POWER INDUCTOR	ABC'S DWG NO.	SR1011□□□□L□-□□□
		ABC'S ITEM NO.	

## V . ELECTRICAL CHARACTERISTICS :

DWG No.	Inductance ( $\mu$ H)	SRF (MHz) typ.	RDC ( $\Omega$ ) max.	Irms 1 $\Delta$ T=20°C typ.	Irms 2 $\Delta$ T=40°C max.	Isat $\Delta$ L/L0A=10% max.
SR1011100ML□-□□□	10.0 $\pm$ 20%	18.0	0.035	3.50	5.00	8.00
SR1011150ML□-□□□	15.0 $\pm$ 20%	13.0	0.045	3.00	4.00	7.00
SR1011220ML□-□□□	22.0 $\pm$ 20%	12.0	0.065	2.50	3.20	5.50
SR1011330ML□-□□□	33.0 $\pm$ 20%	9.5	0.080	2.00	2.60	4.00
SR1011470ML□-□□□	47.0 $\pm$ 20%	7.0	0.110	1.70	2.20	3.80
SR1011680ML□-□□□	68.0 $\pm$ 20%	5.8	0.150	1.50	2.00	3.00
SR1011101KL□-□□□	100.0 $\pm$ 10%	4.8	0.200	1.30	1.80	2.50
SR1011151KL□-□□□	150.0 $\pm$ 10%	3.8	0.320	1.00	1.50	2.00
SR1011221KL□-□□□	220.0 $\pm$ 10%	3.1	0.420	0.90	1.20	1.70
SR1011331KL□-□□□	330.0 $\pm$ 10%	2.5	0.700	0.70	0.90	1.30
SR1011471KL□-□□□	470.0 $\pm$ 10%	2.1	0.900	0.50	0.75	1.10
SR1011681KL□-□□□	680.0 $\pm$ 10%	1.7	1.250	0.40	0.60	1.00
SR1011102KL□-□□□	1000.0 $\pm$ 10%	1.4	1.900	0.30	0.50	0.80

- 1). □ : Packaging information... [A]: Bulk [B]: Taping Reel
- 2). "- □□□": Reference code
- 3). Test Freq : 100KHz , 0.1V
- 4). Irms 1 base on temp. rise 20°C typ.
- 5). Irms 2 base on temp. rise 40°C max.
- 6). Isat Base on  $\Delta$ L/L0A=10% max.

@ Inductance VS. DC superposition characteristics



AR-001A



# SPECIFICATION FOR APPROVAL

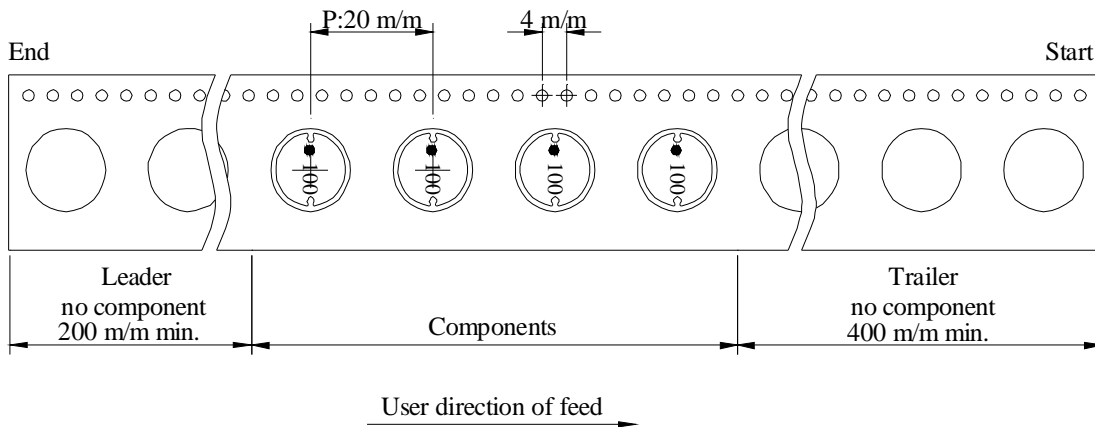
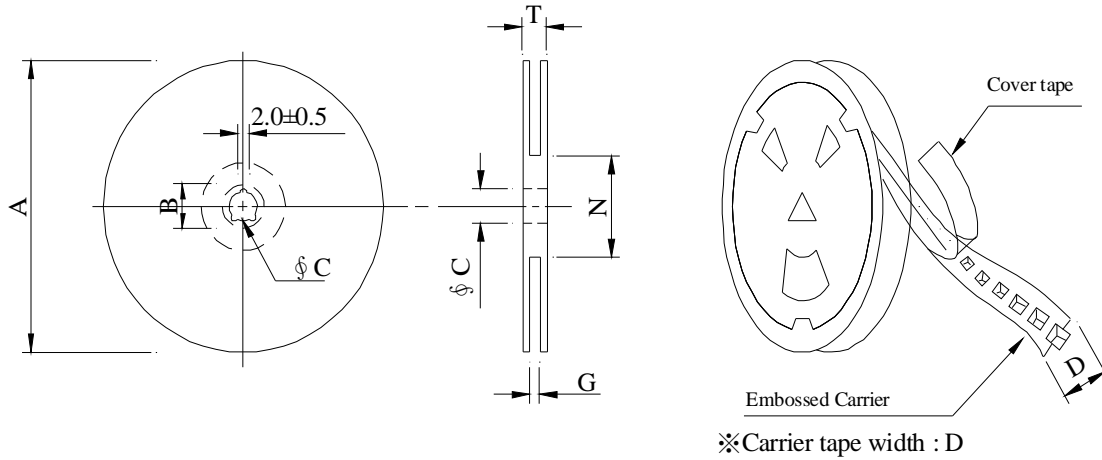
REF : 20090728-A

PAGE: 3

PROD. NAME	SMD POWER INDUCTOR	ABC'S DWG NO.	SR1011□□□□L□-□□□
		ABC'S ITEM NO.	

## VI . PACKAGING INFORMATION

### ( 1 ) Configuration



### ( 2 ) Dimensions

Unit:m/m

Style	A	B	C	D	G	N	T
13 - 24	330	21±0.8	13±0.5	24	26 <sup>+0</sup>	50 <sup>-0</sup>	30.4

### ( 3 ) Q'TY & G.W. Per package

Series	Inner : Reel			Outer : Carton		
	Q'TY (pcs)	G.W. (gw)	Style	Q'TY (pcs)	G.W. (Kg)	Size (cm)
SR1011	250	1,070	13 - 24	1,000	6.0	40 x 40 x 24

AR-001A

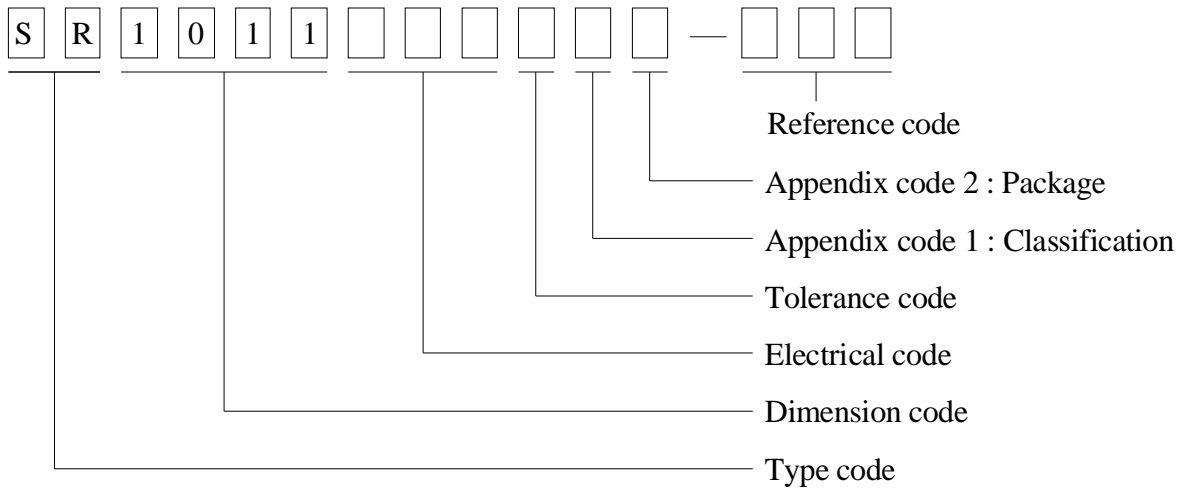
# SPECIFICATION FOR APPROVAL

REF : 20090728-A

PAGE: 4

PROD. NAME	SMD POWER INDUCTOR	ABC'S DWG NO.	SR1011□□□□L□-□□□
		ABC'S ITEM NO.	

**VII . DWGING NUMBER EXPRESSION :**



**Appendix code 1 : Product Classification**

- L : Lead Free Standard products comply with RoHS' requirements
- 1 ~ 9 : Lead Free Special products comply with RoHS' requirements

**Appendix code 2 : Package Information**

Code	Inner package	Inner package Q'TY	Remark
A	T.B.D.	T.B.D.	
B	T / R ( Reel package )	250 pcs	

# SPECIFICATION FOR APPROVAL

REF : 20090728-A

PAGE: 5

PROD. NAME	SMD POWER INDUCTOR	ABC'S DWG NO.	SR1011□□□□L□-□□□
		ABC'S ITEM NO.	

**VIII . RELIABILITY TEST :**

Test item	Specification	Test condition						
Solderability	More than 95% of the terminal electrode shall be covered With fresh solder.	Preheat : 155°C / 4 hours. Solder : Sn96.5 / Ag3 / Cu0.5 or equivalent Solder temp. : 235±5°C Flux : Rosin Dip time : 5±0.5 seconds						
Thermal shock test ( Temp. cycle )	Electrical oharacteristics shall not change more than ±20%	<table style="width: 100%; border: none;"> <tr> <td style="text-align: center;">Room temp. 15 minutes</td> <td style="text-align: center;">→</td> <td style="text-align: center;">-40 °C 30 minutes</td> </tr> <tr> <td style="text-align: center;">Room temp. 15 minutes</td> <td style="text-align: center;">→</td> <td style="text-align: center;">+105 °C 30 minutes</td> </tr> </table> <p>Total : 50 cycles</p>	Room temp. 15 minutes	→	-40 °C 30 minutes	Room temp. 15 minutes	→	+105 °C 30 minutes
Room temp. 15 minutes	→	-40 °C 30 minutes						
Room temp. 15 minutes	→	+105 °C 30 minutes						
Humidity test		Temperature : 40±2°C Humidity : 90±5% Time : 1000 hours						
High temp. Resistance test		Temperature : 105±5°C Applied current : Per spec. Time : 96 hours						

# SPECIFICATION FOR APPROVAL

REF : 20090728-A

PAGE: 6

PROD. NAME	SMD POWER INDUCTOR	ABC'S DWG NO.	SR1011□□□□L□-□□□
		ABC'S ITEM NO.	

**IX . UL CARD :**

OBMW2 September 8, 2000  
Magnet Wire-Component

JUNG SHING WIRE CO LTD E174837  
231 CHUNG CHENG RD, SEC 3 JEN-TEH HSIANG, TAINAN  
HSIEN TAIWAN

Mtl Dsg	Mark Dsg	BC	Coat Typ	OC	ANSI Type	Temp Class
AIW	---	Polyamideimide		---	MW81-C	220
CFUEWB	---	Polyurethane		---	MW75C	130
EIAIW	---	Polyesterimide		Polyamideimide	MW35C	200
EILOCKY	---	Polyesterimide		Polyamide	---	180
EILOCKW	---	Polyesterimide		Modified Epoxy	---	200
EIW	---	Polyesterimide		---	---	220
EIW-2	---	Polyesterimide		---	MW74-C	200
FL.EILOCKY	---	Modified Polyester		Polyamide	---	155
LSFFW	---	Polyurethane		---	MW79-C	155
LSUEW	---	Polyurethane		---	---	130
PEW	---	Polyester		---	---	155
PEY	---	Polyester		Nylon	MW24-C	155
SF.FLW	---	Modified Polyester		---	MW26C	155
SF.EIW	---	Polyesterimide		---	MW77C	180
SF.BY@	---	Modified Polyester		Nylon	MW27-C	155
SF.FLY@	---	Modified Polyester		Nylon	MW27-C	155
SF.BLOCKBS	---	Modified Polyester		Modified Polyamide	---	155
SF.EILOCKY#	---	Polyesterimide		Polyamide	---	180
SF.EILOCKBS	---	Polyesterimide		Modified Polyamide	---	180
SF.BW@	---	Modified Polyester		---	MW26C	155
SFFW	---	Polyurethane		---	MW79	155

287806002 Page 1 of 2

A not-for-profit organization dedicated to public safety and committed to quality service

Mtl Dsg	Mark Dsg	BC	Coat Typ	OC	ANSI Type	Temp Class
SFFY	---	Polyurethane		Polyamide	MW80C	155
UEW-1	---	Polyurethane		---	MW2-C	105
UEW-2	---	Polyurethane		---	---	130
UEW-4	---	Polyurethane		---	MW75C	130
UEY	---	Polyurethane		Nylon	MW28-C	130
UEY-2	---	Polyurethane		Polyamide	MW28-C	130

287806002 Page 2 of 2

OBMW2E174837  
September 8, 2000

@-May be suffixed by LZ; # - May be suffixed by LZ, EL or LZL.  
LZ - Signifies magnet wires twisted together; EL - signifies base coated magnet wire laid parallel with top coat applied overall; LZL - signifies base coated magnet wire twisted together and covered with top coat overall.  
Marking: Company name or trademarks or 榮星電線, material designation or marked designation on packed or reel, and Recognized Component Mark.

See General Information Preceding These Recognitions  
For use only in equipment where the acceptability of the combination is determined by Underwriters Laboratories Inc.

# SPECIFICATION FOR APPROVAL

REF : 20090728-A

PAGE: 7

PROD. NAME	SMD POWER INDUCTOR	ABC'S DWG NO.	SR1011□□□□L□-□□□
		ABC'S ITEM NO.	

**IX . UL CARD :**

OBMW2 October 06, 2005  
 Magnet Wire-Component

**ELEKTRISOLA (MALAYSIA) SDN BHD** E143312  
 JALAN DAMAI SATU JANDA BAIK 28750 BENTONG, PAHANG  
 DARUL MAKMUR MALAYSIA

Mtl Dsg	Mark Dsg	Coating Type		ANSI Typ	Temp Class
		BC	OC		
Estersol 180	E180	Polyesterimide (soldeable)	—	MW-77	180
Amldester 200	A200	Polyesterimide	—	MW-74	200
Polysol-N 155	PN155	Polyurethane	Nylon	MW-80, MW-28	155, 130
Polysol 155	P155, G155	Polyurethane	—	MW-79, MW-75	155, 130
Polysol 155g	Pg155	Polyurethane	—	MW-75	130
Polysol 155p	Pp155,Gp155	Polyurethane	—	MW-79	155
Polysol 160	P160	Polyurethane	—	MW-79	155
Polysol 180	P180,G180	Polyurethane	—	MW-82, MW-79	180, 155
Polysol 170	P170 or G170	Polyurethane	—	MW-79	155
Polysol-N 180	PN180	Polyurethane	Nylon	MW-83	180
Polysol P155p	P155p	Polyurethane	—	MW-79	155

Marking : Company name, material designation or marked designation and factory identification on package ok reel

---

See General Information preceding These Recognitions  
 For use only in equipment where the acceptability of the combination is determined by Underwriters Laboratories Inc.